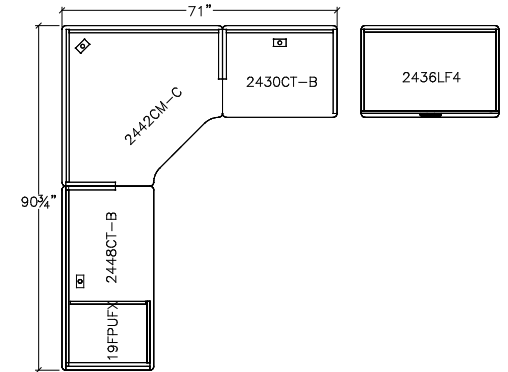
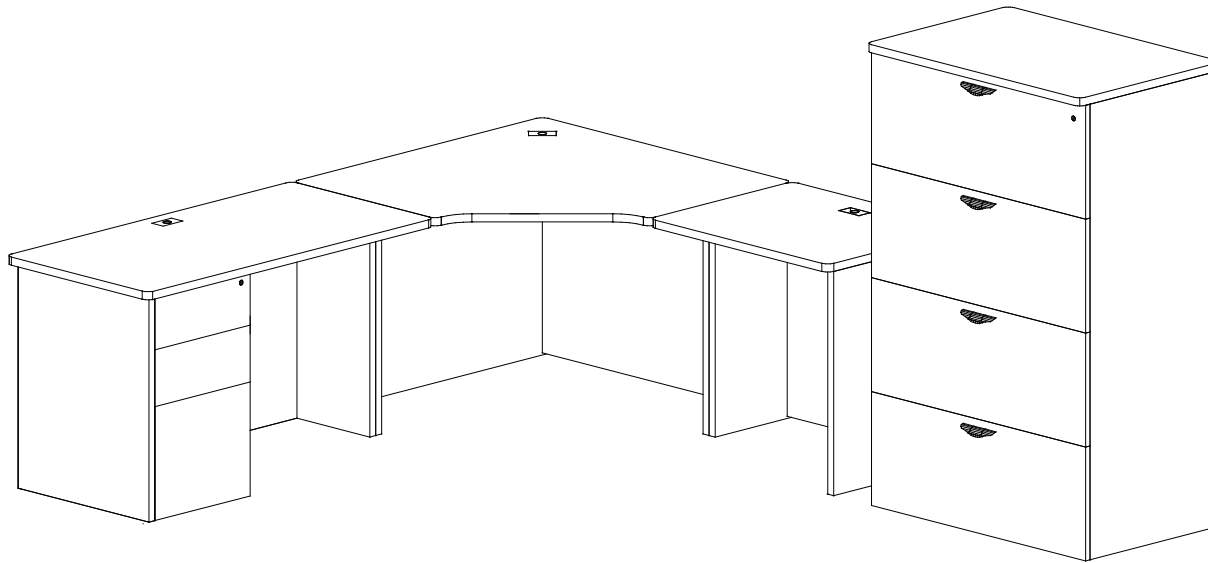


318 series



Layout # 1

- | | | |
|----------|---------------------|---------------------|
| A | 318-2442CM-C | Corner Module |
| B | 318-2448CT-B | Left Connector Top |
| C | 318-2430CT-B | Right Connector Top |
| D | 318-19FPUFX | BBF Ped |
| E | 318-2436LF4 | Lateral File |